

Planter Box

By: Natalia Castro

Key Features

Key Feature: Legs

Knowns:

- Legs gave to be thick enough to hold a heavy pot with plants and soil in side and maybe anything on the sides as well.

Unknowns:

- How wide, how long?

Key Feature: Draining holes

Knowns:

- Draining at the bottom

Unknowns:

- How many holes to put and how big

Key Feature: pot

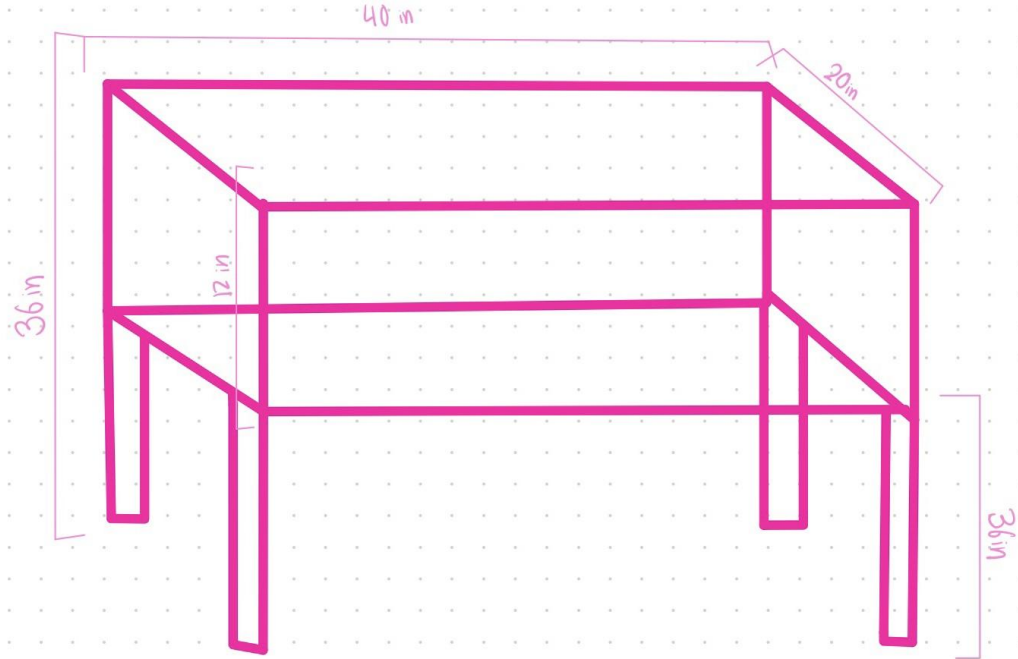
Knowns:

- I know that the pot has to be deep

Unknowns:

- Not sure how deep

Blueprint design



Materials & cost

- ★ 2x4 wood: 0\$
- ★ Soil: 15\$
- ★ Woodstain: 8\$
- ★ Seeds: 10\$



Step by step process

Step #1 build the box



Step #2 add legs



Step #4 wood stain



Step #5 add liner



Step #6 add in soil & plant seeds



Final Product

